

Principle of calibration:

The principle of this calibration procedure is to compare the energy provided by a spring hammer, which is difficult to measure directly, to the energy of a pendulum, calculated from its mass and height of fall. And it's designed with the requirements of Annex B of IEC60068-2-75.

Construction:

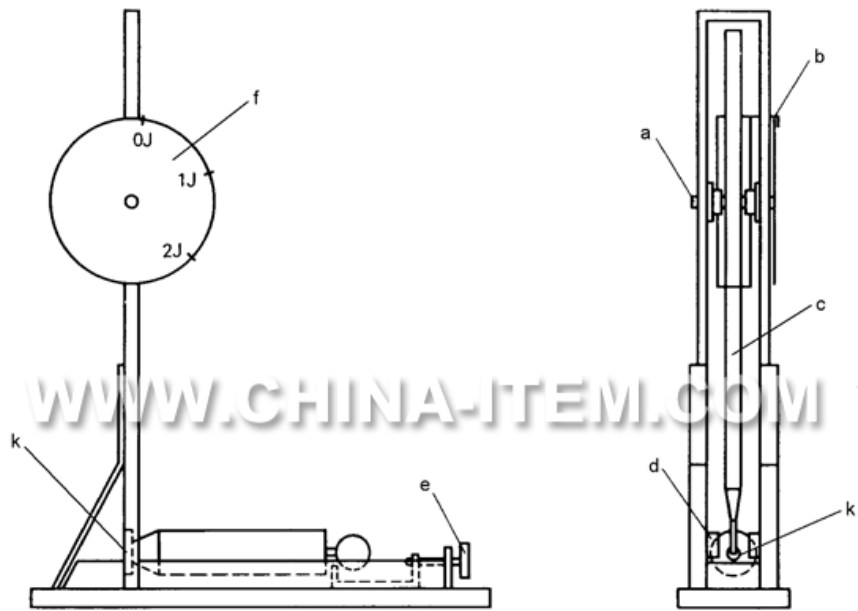
It's mainly made of a frame, a bearing, a drag pointer, a pendulum, a release base and a release device.

Notes:

The Calibration Device of Spring Hammer can be used for all models, allowing verification of the proper functioning of different types of hammers with the same calibration.

The spring is designed for calibrating spring hammers having characteristics as defined for energy values equal to less than 2J.

Pendulum specifications:	Material: Steel. Diameter: Ø 20mm. Length: 635mm ± 2,5mm. Pendulum H : 120mm ± 2mm. Pendulum D: 20mm ± 0,5mm. Pendulum W: 4mm ± 0,01mm.
Impact energy:	0 ~ 2J.
Weight:	21 kg.
Release device:	Ac. Mechanic.
Finish:	Chrome bathroom. Painting.
According to:	Annex B of IEC 60068-2-75 fig. B1



IEC 967/97

- a = bearing
- b = drag pointer
- c = pendulum
- d = release base
- e = release device
- f = scale plate
- k = point where blows are applied, i.e. impact point