

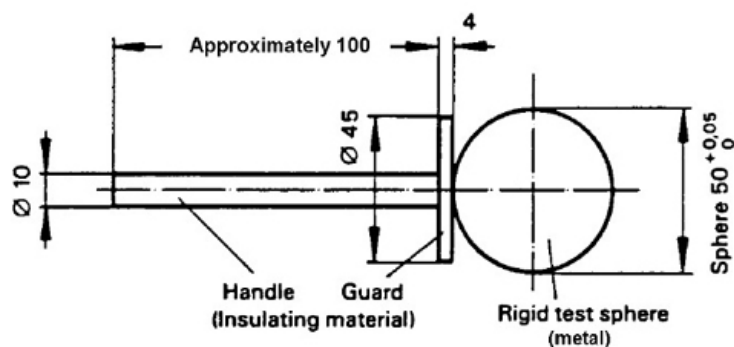
The **Rigid Sphere Ø 50 mm with Guard** is used to check the degree of protection provided by the wrappers mechanical equipment in compliance with the first digit No. 1 (IP1X) according to **IEC 60529**.

It is the same with protection rigid sphere of **Ø 50 mm** shown in **Figure 1 of IEC 61032**.

The device is a metal sphere **Ø 50 mm** surface finish, and has a guard. Their use is described in **Table 6 of IEC 60529**.

| Devices Specifications: | |
|-------------------------|--|
| Material: | Brass. |
| Finish: | Chrome plating. |
| Specifications: | Ø 50 mm with Guard. IP1X |
| According to: | IEC 60529 Tab. 6. Figure 1 (Test Probe A) of IEC 61032. |

a)



Dimensions in millimetres

This probe is intended to verify the protection of persons against access to hazardous parts. It is also used to verify the protection against access with the back of the hand.

Figure 1 – Test probe A